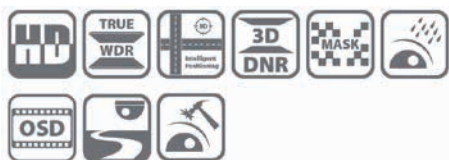


# DS-2AE5230T-A(3)

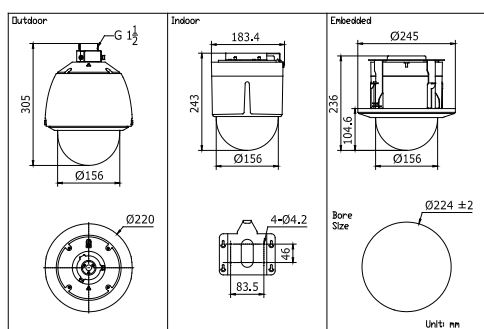
## 1080P Analog PTZ Dome Camera



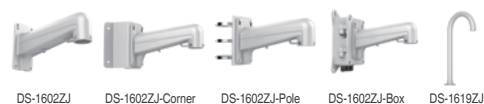
### Key features

- 2MP CMOS Image Sensor
- Full HD 1080P Video Output
- 30X optical zoom, 16X digital zoom
- Up the Coax function
- Privacy Masking, 3D DNR
- 3D intelligent positioning

### Dimensions



### Accessories



### Available models

DS-2AE5230T-A, 24VAC, outdoor  
DS-2AE5230T-A3, 24VAC, indoor

DS-2AE5230T-A(3)	
<b>Camera</b>	
Image Sensor	1 / 3" CMOS
Effective Pixel	Max. Image Resolution: 1920(H) × 1080(v)
Max. Image Resolution	1920(H) × 1080(v)
Signal System	PAL / NTSC
Min. Illumination	Color: 0.02Lux@ (F1.6,AGC ON) B/W: 0.002Lux@ (F1.6,AGC ON)
White Balance	Auto / Manual / ATW / Indoor / Outdoor
AGC	Auto / Manual
S / N Ratio	≥ 50dB
3D DNR	Support
Backlight Compensation	Support
Shutter Time	PAL: 1-1 / 10,000s ; NTSC: 1-1 / 10,000s
Day & Night	IR Cut Filter
Digital Zoom	16x
Privacy Mask	8 privacy masks programmable; a maximum of 8 zones can be masked simultaneously on the same video screen
Focus Model	Auto / Semiautomatic / Manual
<b>Lens</b>	
Focal Length	4-120mm, 30X
Zoom Speed	Approx.3.0s(Optical Wide-Tele)
Angle of View	58-1.7 degree(Wide-Tele)
Min. Working Distance	10-1500mm (Wide-Tele)
Aperture	F1.6-F4.4
<b>Pan and Tilt</b>	
Pan Range	360° endless
Pan Speed	Pan Manual Speed: 0.1°-250° / s.; Pan Preset Speed: 300° / s
Tilt Range	-5°-90° (Auto Flip )
Tilt Speed	Tilt Manual Speed: 0.1°-150° / s.; Tilt Preset Speed: 200° / s
Proportional Zoom	Rotation speed can be adjusted automatically according to zoom multiples
Number of Preset	256
Patrol	8 patrols, up to 32 presets per patrol
Pattern	4 patterns, with the total recording time not less than 10 minutes
Power-off Memory	Support
Park Action	Preset / Patrol / Pattern / Pan scan / Tilt scan / Frame Scan / Random scan / Panorama scan
PTZ Position Display	On / Off
Preset Freezing	Support
Scheduled Task	Preset / Patrol / Pattern / Pan scan / Tilt scan / Frame Scan / Random scan / Panorama scan
RS-485 communication diagnosis	Support
<b>Input / Output</b>	
Monitor Output	1 turbo HD1080p output; 1.0V[p-p] / 75Ω, NTSC (or PAL) composite, BNC
RS-485 Interface	Half-duplex mode; Self-adaptive HIKVISION, Pelco-P, Pelco-D protocol
UTC function	Self-adaptive PELCO_C, HIKVISION_C(need UTC controller)
<b>General</b>	
Menu Language	English, Chinese
Power	24VAC; Outdoor dome: Max. 20W (Heater On), Max. 12W(Heater Off); Indoor dome: Max.12W
Working Temperature / Humidity	-30 °C-65°C(-22°F-149°F)(outdoor dome) / -10°C-50°C(14°F-122°F)(indoor dome ) 90% or less
Protection Level	IP66 standard (outdoor dome) TVS 4,000V lightning protection, surge protection and voltage transient protection
Mounting	Various mounting modes optional
Impact Protection	Outdoor: IEC60068-275Eh, 20J; EN50102, up to IK10 Indoor: IEC60068-275Eh, 10J; EN50102, up to IK09
Dimensions	φ220×305mm (φ8.66"×12.00")(Outdoor); φ183.4×243mm(φ7.22"×9.56") (Indoor) φ245×236mm(φ9.65"×9.29") (In-ceiling)
Weight (approx.)	3Kg (6.61 lbs)
Mount Option (only suitable for outdoor dome)	Long-arm wall mount: DS-1602ZJ; Corner mount: DS-1602ZJ-corner; Pole Mount: DS-1602ZJ-pole; Power box mount:DS-1602ZJ-box;Swan-neck mount: DS-1619ZJ